

PULSE



PULSE

SHOWERSPAS

Splash ShowerSpa
Model #1020-B & #1020-S
Owner's Manual



Invigorate

Decorate

Rejuvenate

Splash ShowerSpa 1020

Please Read The Following Instructions COMPLETELY Before Beginning!

Our goal is to ensure your installation goes smoothly and safely. Please read these instructions carefully and follow recommendations for plumbing and mounting. **After reading instructions, if you determine you do not have the necessary skills and/or tools, we recommend that a licensed plumbing contractor complete the installation.**

**If you encounter any problems during installation
CALL TECHNICAL SUPPORT
TOLL FREE at 888-785-7320
Before returning your ShowerSpa to the store**

You Will Need The Following Tools

Drill, 3/16" (5mm) tile/masonry bit, 1/4" (7mm) tile/masonry bit, adjustable wrench, hammer, phillips screwdriver and pencil.

Parts Legend

1. Splash Showerspa	1	11. Retaining Washer	1	21. Nut (4mm)	2
2. Rubber Washer (6mm).....	1	12. Brass Nut.....	1	22. Escutcheon Base Plate (ABS)	1
3. Showerhead	1	13. Rubber Washer (2mm).....	3	23. Escutcheon Cover (ABS).....	1
4. 90° Degree Inlet Fitting.....	1	14. Supply Line.....	1	24. Hand Shower Hose	1
5. Compression Nut.....	1	15. Hand Shower Mount	1	25. Shower Arm Plug.....	1
6. Mounting Plate.....	1	16. Hand Shower.....	1	26. Chrome Escutcheon	1
7. 2½" Brass NPT Nipple.....	1	17. Nylon Wall Anchor (5x30mm)	2	27. Supply Line Extension (40cm).....	1
8. Nylon Wall Anchor (7x37mm)	6	18. Philips Coarse Screw (4x35mm).....	2	28. Supply Line Connector.....	1
9. Philips Coarse Screw (5x35mm).....	6	19. Philips Machine Screw (4x25mm)..	2	29. Teflon® Tape.....	1
10. Two Faced Tape.....	1	20. Lock Washer	2		

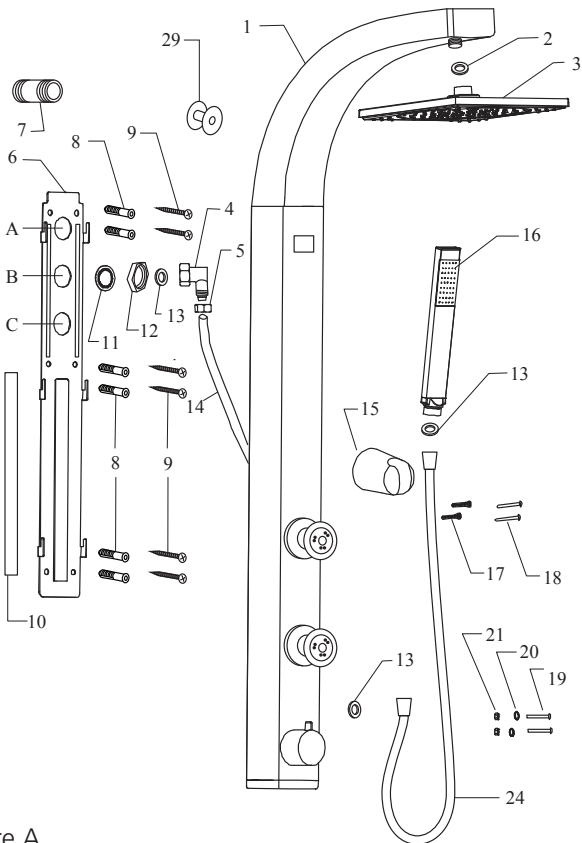


Figure A

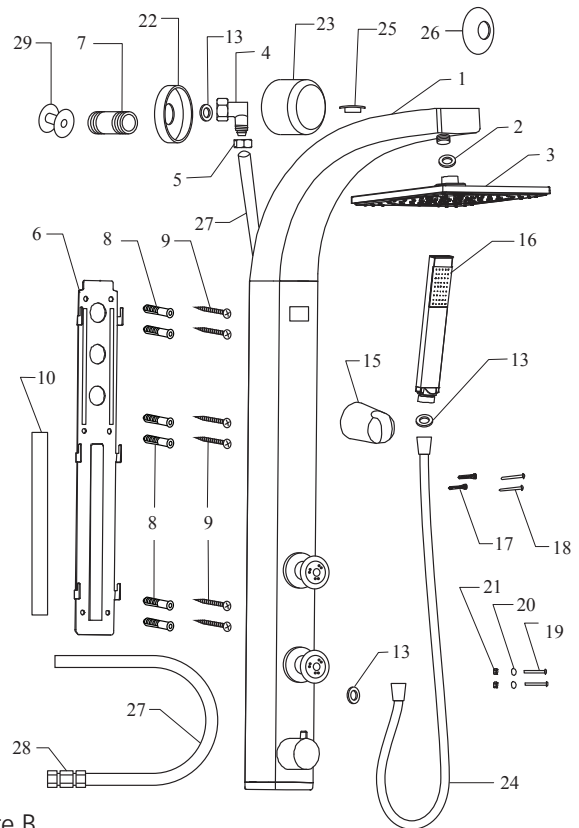


Figure B

Installation

Prior to installation

1. Remove your showerhead and trim plate (escutcheon) from your existing shower arm.
2. Determine the length of brass NPT nipple (13) needed:
 - a. Place mark on existing shower arm at wall surface. Unscrew shower arm from elbow in wall.
 - b. Measure distance from mark on shower arm to end of shower arm threads. Add $\frac{1}{2}$ " to this measurement, then round to nearest $\frac{1}{2}$ ".

Example 1: If measurement = $1\frac{1}{4}$ ", add $\frac{1}{2}$ " = $1\frac{3}{4}$ ", rounded = 2" NPT nipple, this is the length needed.

IMPORTANT: If shower arm is located in wall above tile/fiberglass wall surface you must add the distance from sheetrock to face of tile/fiberglass shower wall to the above measurement.

NOTE: If supplied $2\frac{1}{2}$ " nipple (13) is not the correct length based on above formula, you must obtain the correct size NPT brass nipple (available at most hardware stores).

Method A (Figure A)

Mounted OVER Shower Arm Outlet

5. Determine which hole position (A, B or C) of mounting plate (6) will be used for desired mounting height. If using position A, skip to step 10.
6. If position B or C is used, the length of supply line (14) must be shortened accordingly. To shorten supply line, first remove compression nut (5) from 90° fitting (4) then remove 90° fitting from supply line. Cut supply line to required length so that 90° fitting when reinstalled is aligned with selected hole position (B or C). Hint: Install mounting plate on Splash for reference.

IMPORTANT: Supply line must be cut clean & square to ensure no leaks. Measure twice, cut once—Take your time!

7. Slide compression nut (5) onto supply line(14).
8. Push supply line (14) over 90° fitting (4) until it bottoms against base of threads. Hint: Warm the supply line for easier re-installation of 90° fitting.
9. Slide compression nut (5) onto 90° fitting (4) and securely tighten.
10. Remove face of tape (10) from mounting plate (6) and slide over nipple (7) through predetermined hole A, B or C. Level plate before adhering to wall.
11. Push retaining washer (11) over nipple (7) securing mounting plate (6) to wall and/or use nut (12). [OPTIONAL: Secure mounting plate using supplied wall fasteners. Drill $\frac{1}{4}$ " (7mm) holes X $1\frac{1}{2}$ " (37mm) deep holes using a masonry/tile drill bit. Insert anchors (8) and secure plate with screws (9)]
12. Insert washer (13) into 90° fitting (4) and connect to nipple (7). Turn on water and check for leaks. Once leak free carefully slide Splash (1) onto mounting plate (6) and push down to secure. Skip to step 20.

Final Steps

20. Hand shower mount (15) can be attached to side of Splash (Step 21) or secured to wall (Step 22).
21. Mounting to side of Splash (1): drill 5mm holes through side of Splash (1). Use screws (19), washer (20) and nut (21) to secure. CAUTION: Do not damage internal supply hoses. Skip to step 23.

3. Apply a generous amount of Teflon® tape (29) to one side of nipple (13). **IMPORTANT:** Do not damage final $\frac{1}{2}$ " of nipple threads protruding from wall.
4. Insert mounting plate (6) into slots on back of Splash (1). Hold Splash to wall and evaluate preferred mounting location based on showerhead, body spray and existing valve height. The Splash can be mounted over, below or adjacent to existing shower arm outlet.

NOTE: If mounting over existing shower arm outlet, no drilling required (use Method A). If mounting below or adjacent to existing shower arm outlet, supply line extension (27) must be installed and drilling wall surface is required (use Method B).

Method B (Figure B)

Mounted BELOW or ADJACENT TO Shower Arm Outlet

13. Remove 90° fitting (4) from supply line (14) and attach supply line extension (27) using connector (28). Remove shower arm plug (25) from top of shower arm and insert extended supply line through hole. Place escutcheon (22 or 26) onto nipple (7) and attach 90° fitting (4).
 14. Position Splash at desired location. Ensure supply line reaches 90° fitting (4). If using the optional escutcheon cover (23), make certain it will not interfere with Splash (1) after mounting.
 15. Mark shower wall at top and bottom of mounting plate (6). Use plate as a guide, mark and drill $\frac{1}{4}$ " (7mm) holes X $1\frac{1}{2}$ " (37mm) deep. CAUTION: Live plumbing behind wall. Insert anchors (8) into holes and secure mounting plate with screws (9). NOTE: anchors provided are for solid surface walls; If you have fiberglass walls with no backing, different type anchors must be used (not included).
 17. Place Splash (1) on mounting plate (6) and accurately mark supply line (14) for cutting.
- IMPORTANT:** Supply line must be cut clean & square to ensure no leaks. Measure twice, cut once—Take your time!
18. Follow steps 7–9 above.
 19. Install escutcheon [either (22) or (26)], insert washer (3) into 90° fitting (4) and connect to nipple (7). Turn on water and check for leaks. Once leak free, carefully slide Splash (1) onto mounting plate (6) and push down to secure.

22. Mounting to wall: use 7mm masonry/tile drill bit, nylon anchors (17) and screws (18) to secure.
23. Insert washer (2) into showerhead (3) and attach to Splash (1). Insert washer (13) into each end of hand shower hose (24). Secure hex end to Splash and tapered end to hand shower (16).

Usage

Turn diverter either direction to change functions or set between functions for further enjoyment.

The showerhead and body jets have ball joints, allowing you to pivot them to the desired spray angle.

Always turn cold water on first to help prevent any accidental burning or scalding; especially for children and elderly.

The Splash is equipped with Spray Straight™ technology in the tips of the showerhead and hand shower. If the stream becomes obstructed from mineral deposits, simply rub the soft tips with your finger to loosen the deposits.

To remove debris from the flow restrictor, unscrew supply line from nipple in wall. Take out screened washer and restrictor from inside the nut. Rinse with water or use a toothpick to remove debris.

Care & Maintenance

To keep your ShowerSpa looking new, wipe down after each use with a soft cotton cloth.

Protect your ShowerSpa from hard water stains and mineral deposits by periodically using an auto spray wax.

Clean using mild liquid soap and a non-abrasive sponge or cloth. Rinse with clean water.

***Do Not Use Any Kind Of
Chemicals Or Abrasives!***

Manufacturer's Limited Warranty

PULSE Shower Spas, Inc. warrants that all ShowerSpas are free from defect in workmanship and/or materials for a period of three years from the date of purchase. This warranty extends to the original purchaser only and is non-transferable.

This warranty does not cover, and PULSE ShowerSpas, Inc. will not pay for conditions, malfunctions or damages resulting from (1) normal wear and tear, improper installation (whether performed by a contractor, service company or the consumer), improper maintenance, misuse, abuse, negligence, accident or alteration; (2) the use of abrasive, caustic or "no-rinse" cleaning agents; (3) the use of the product in any manner contrary to the product instruction; (4) conditions in the home such as excessive water pressure or corrosion.

Should any ShowerSpa be determined by PULSE ShowerSpas, Inc. to be defective under normal residential use, at the option of PULSE ShowerSpas, Inc., such product shall either be replaced or repaired and returned to the customer free of defects. The consumer shall give notice of any defects to PULSE ShowerSpas, Inc. within 30 days of discovery of such defect.

Proof of purchase (original sales receipt) must be provided to PULSE

Shower Spas, Inc. with all warranty claims. PULSE ShowerSpas, Inc. is not responsible for labor charges, removal charges, installation or other consequential costs. In no event shall the liability of PULSE ShowerSpas, Inc. exceed the purchase price of the ShowerSpa.

Some states/provinces do not allow limitations of how long an implied warranty lasts or the exclusion or limitation of such damages, so these limitations and exclusions may not apply to you. This warranty gives the consumer specific legal rights. You may also have other rights that vary by state/province.

Follow manufacturers recommended installation. Use caution with children under ten years of age. Do not use your ShowerSpa as a support device. Do not use harsh chemicals or abrasives when cleaning. Always turn water supply off when servicing your ShowerSpa.



PULSE

SHOWERSPAS

Pulse ShowerSpas, Inc. ~ 297 Anna St. ~ Watsonville, CA 95076 ~ 888.785.7320
info@pulseshower spas.com ~ www.PulseShowerSpas.com ~ support@pulseshower spas.com