

A  
L  
O  
H  
A



**PULSE**

SHOWERSPAS

**Aloha ShowerSpa**

**Model #1021-SSB**

**Owner's Manual**



# Aloha ShowerSpa 1021-SSB

## Please Read The Following Instructions **COMPLETELY** Before Beginning!

Our goal is to ensure your installation goes smoothly and safely. Please read these instructions carefully and follow recommendations for plumbing and mounting. **After reading instructions, if you determine you do not have the necessary skills and/or tools, we recommend that a licensed plumbing contractor complete the installation.**

*If you encounter any problems during installation*

**CALL TECHNICAL SUPPORT  
TOLL FREE at 888-785-7320**

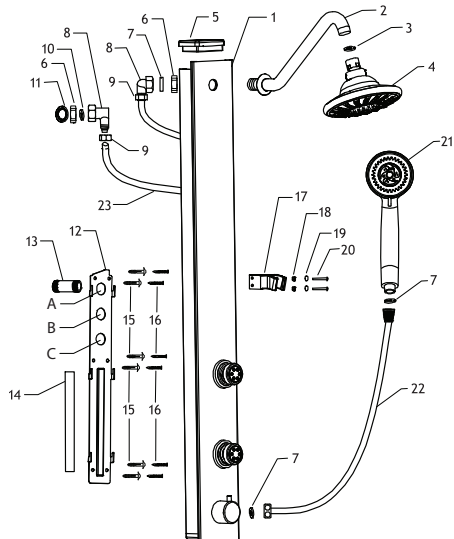
*Before returning your ShowerSpa to the store*

### You Will Need The Following Tools

Drill with 3/16" (5mm) tile/masonry bit, Adjustable wrench,  
Hammer, Phillips screwdriver and Pencil

## Parts Legend

1. Aloha Showerspa.....	1
2. Shower Arm.....	1
3. Rubber Washer 6mm.....	1
4. Showerhead.....	1
5. Top Cover.....	1
6. Brass Nut.....	2
7. Rubber Washer 2mm.....	3
8. 90° Fitting.....	2
9. Compression Nut.....	2
10. Rubber Washer w/ Screen.....	1
11. Retaining Washer.....	1
12. Mounting Plate.....	1
13. 2-1/2" Brass NPT Nipple.....	1
14. Two Faced Tape.....	1
15. Wall Anchor.....	6
16. 1" Nail.....	6
17. Hand Shower Mount.....	1
18. Nut 4mm.....	2
19. Non Slip Washer.....	2
20. 1-3/8" Machine Screw.....	2
21. Hand Shower.....	1
22. Hand Shower Hose.....	1



# Installation

1. Determine the length of brass NPT nipple (13) needed:
  - a. Place mark on existing shower arm at wall surface. Unscrew shower arm from elbow in wall.
  - b. Measure distance from mark on shower arm to end of shower arm threads. Add  $\frac{1}{2}$ " to this measurement, and then round to nearest  $\frac{1}{2}$ ".

Example 1: If measurement =  $1\frac{1}{4}$ ", add  $\frac{1}{2}$ " =  $1\frac{3}{4}$ ", rounded = 2" NPT nipple, this is the length needed.

Example 2: If measurement =  $1\frac{5}{8}$ ", add  $\frac{1}{2}$ " =  $2\frac{1}{8}$ ", rounded = 2" NPT nipple, this is the length needed.

**IMPORTANT:** If shower arm is located in wall above tile/fiberglass wall surface you must add the distance from sheetrock to face of tile/fiberglass shower wall to the above measurement.

**NOTE:** If supplied  $2\frac{1}{2}$ " nipple (13) is not the correct length based on above formula, you must obtain the correct size NPT brass nipple (available at most hardware stores).

4. Apply a generous amount of Teflon® tape to both ends of nipple (13). **IMPORTANT:** Do not damage final  $\frac{1}{2}$ " of nipple threads protruding from wall.
5. Insert shower arm (2) into body of Aloha Showerspa (1) and secure with nut (6). Insert washer (7) into 90° fitting (8) on shower arm supply line and securely tighten 90° fitting (8) to shower arm ensuring no leaks. **CAUTION:** Do Not Overtighten.
6. Attach hand shower mount (17) to side of Aloha (1) with machine screw and non slip washer and nut.
7. If using hole A for mounting continue to Step 10. If using hole B or C of mounting plate (12) remove mounting plate from Splash.
8. Loosen compression nut (9) and remove 90° fitting (8). Cut the supply line (23) at the predetermined mark depending on hole choice. **IMPORTANT:** Supply line must be cut clean and square to ensure no leaks - take your time, maybe even practice higher up on hose!
9. Slide compression nut (9) onto supply line (23).
10. Push supply line (23) over barbed portion of 90° fitting (8) until it bottoms against base of threads.
11. Slide compression nut (9) onto to 90° fitting (8) and securely tighten.
12. Remove face of tape (14) from mounting plate (12) and slide plate over nipple (13) through predetermined hole A, B or C. Level plate before adhering to wall.
13. Push retaining washer (11) over nipple (13) securing mounting plate (12) to wall and/or use nut (6).
14. **OPTIONAL:** secure mounting plate using supplied wall fasteners. Drill 5mm ( $\frac{3}{16}$ in.) wide X 25mm (1in.) deep holes using a masonry/tile drill bit. **CAUTION:** live (active) plumbing is behind the wall! Insert mushroom head anchors (15) through plate and carefully hammer nail (16) flush to mushroom head anchor.
15. Insert washer with screen (10) into 90° fitting (8) and connect to nipple (13). Turn on water and check for leaks. Once leak free carefully slide Aloha (1) onto mounting plate (12) and push down to secure.
16. Insert 6mm washer (3) into showerhead (4) and attach to Aloha (1).
17. Insert washer (7) into each end of shower hose (22) and secure hex head to Aloha (1) and cone shape end to hand shower (21).

# Usage

Use the diverter valve to select what function you want to enjoy. If you want two functions to operate at the same time, position the diverter selector between the two desired functions. It is best to wipe dry the Aloha Showerspa after each use to maintain it in new looking condition. Only use mild soap and water to clean the Aloha Showerspa. Never use any abrasives or harsh chemicals as they will damage the finish and void the warranty.

## Manufacturer's Limited Warranty

PULSE Shower Spas, Inc. warrants that all ShowerSpas are free from defect in workmanship and/or materials for a period of three years from the date of purchase. This warranty extends to the original purchaser only and is non-transferable.

This warranty does not cover, and PULSE ShowerSpas will not pay for any conditions, malfunctions or damages resulting from (1) normal wear and tear, improper installation (whether performed by a contractor, a service company or the consumer), improper maintenance, misuse, abuse, negligence, accident or alteration; (2) the use of abrasive, caustic or "no-rinse" cleaning agents; (3) the use of the product in any manner contrary to the product instruction; (4) any condition in the home such as excessive water pressure or corrosion.

Should any ShowerSpa be determined by PULSE ShowerSpas, Inc. to be defective in normal residential use, at the option of PULSE ShowerSpas, Inc., such product shall either be replaced or repaired and returned to the customer free of defects. The consumer shall give notice of any defects to PULSE ShowerSpas, Inc. within 30 days of discovery of such defect.

Proof of purchase (original sales receipt) must be provided to PULSE ShowerSpas, Inc. with all warranty claims.

PULSE ShowerSpas, Inc. is not responsible for any labor charges, removal charges, installation or other consequential costs. In no event shall the liability of PULSE ShowerSpas, Inc. exceed the purchase price of the ShowerSpa.

Some states/provinces do not allow limitations of how long an implied warranty lasts or the exclusion or limitation of such damages, so these limitations and exclusions may not apply to you. This warranty gives the consumer specific legal rights. You may also have other rights that vary by state/province.

Follow manufacturers recommended installation. Use caution with children under ten years of age. Do not use ShowerSpa as a support device. Do not use harsh chemicals or abrasives when cleaning. Turn water supply off when servicing your ShowerSpa.