

PARADISE



PULSE

SHOWERSPAS

Paradise Showerspa

Model #1025-B & 1025-W

Owner's Manual



Paradise ShowerSpa Model 1025-B & 1025-W

Please Read The Following Instructions **COMPLETELY** Before Beginning!

Our goal is to ensure your installation goes smoothly and safely. Please read these instructions carefully and follow recommendations for plumbing and mounting. **After reading instructions, if you determine you do not have the necessary skills and/or tools, we recommend that a licensed plumbing contractor complete the installation.**

***If you encounter any problems during installation
CALL TECHNICAL SUPPORT
TOLL FREE at 888-785-7320
Before returning your ShowerSpa to the store***

You Will Need The Following Tools

Soft pencil or felt pen to mark tile

4mm allen wrench

Safety glasses

Tape measure

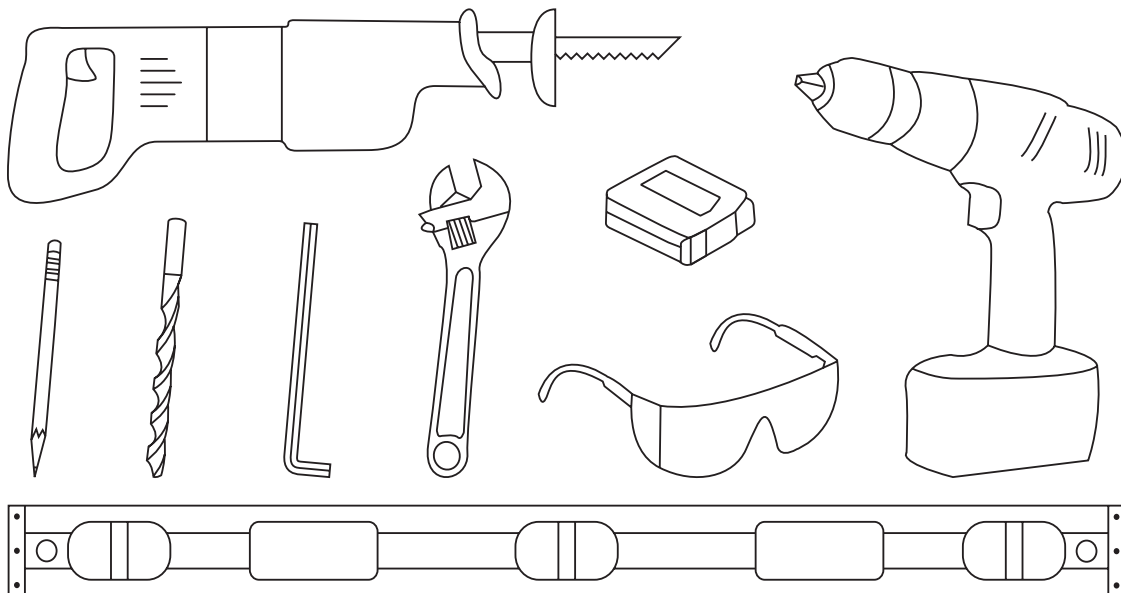
Level

Reciprocating saw w/metal cutting blade (Sawzall®)

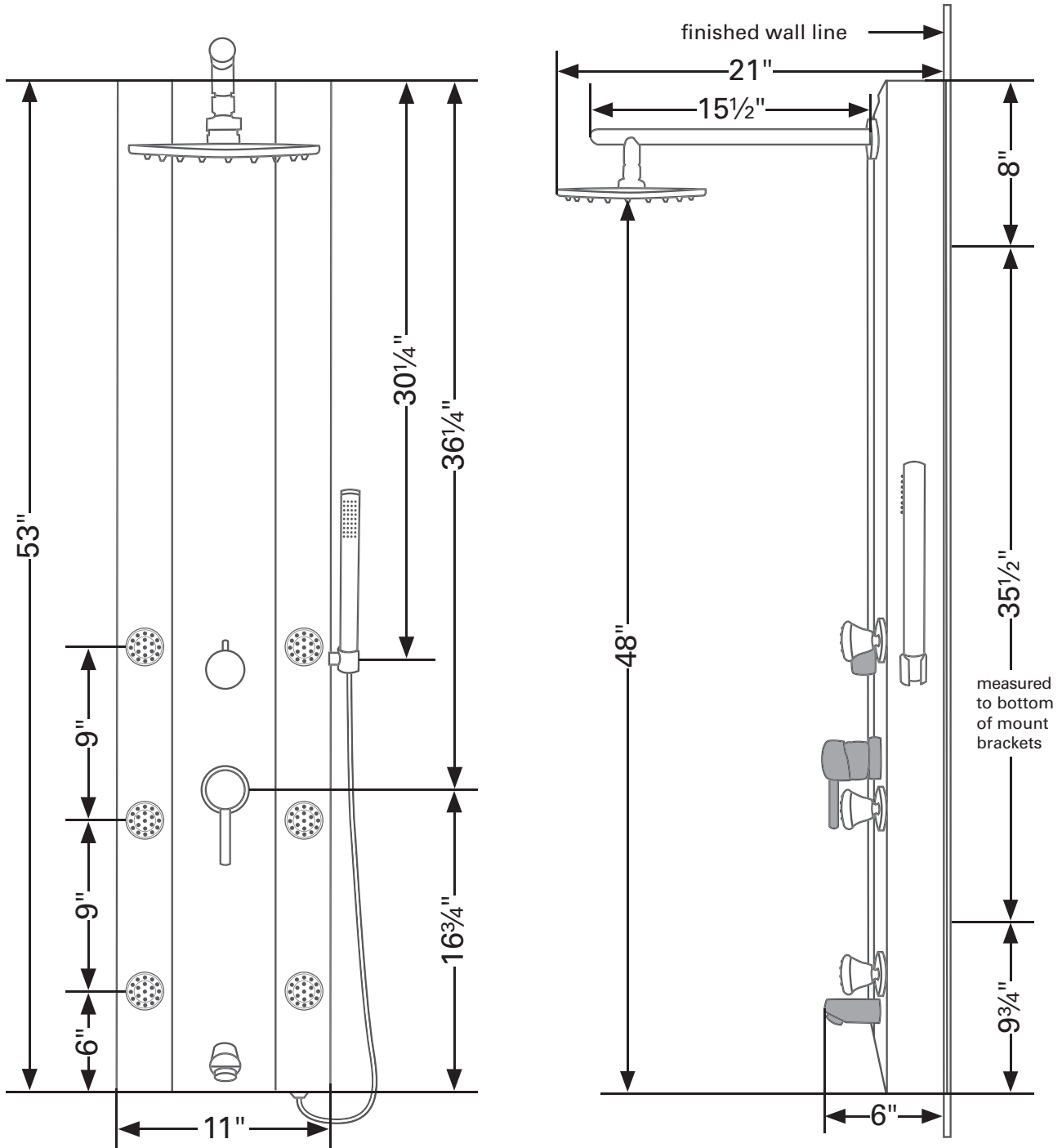
Channel locks or adjustable wrench

Drill (Preferably cordless)

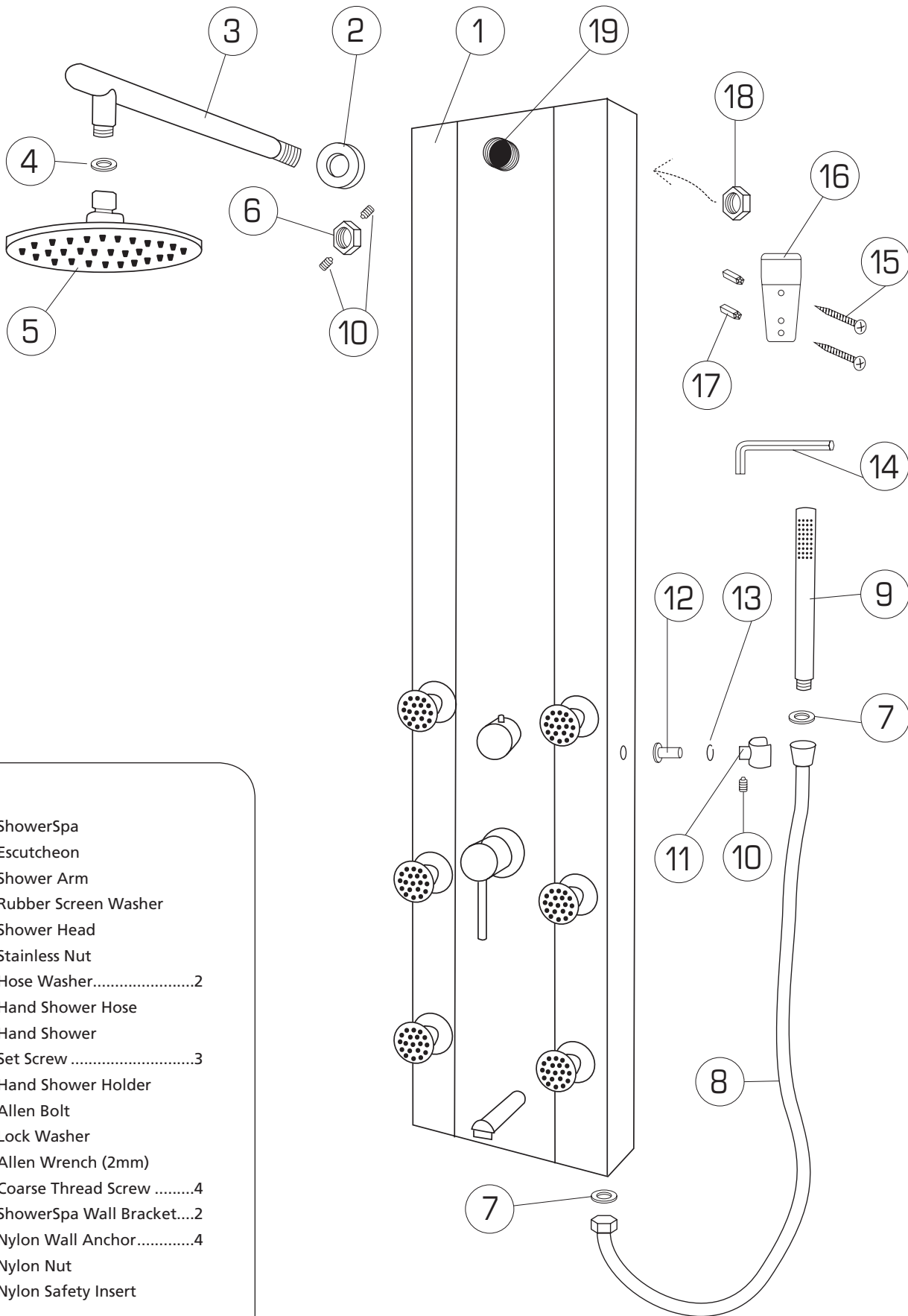
¼" Masonry drill bit



Product Dimensions



Parts Legend



- 1. ShowerSpa
- 2. Escutcheon
- 3. Shower Arm
- 4. Rubber Screen Washer
- 5. Shower Head
- 6. Stainless Nut
- 7. Hose Washer.....2
- 8. Hand Shower Hose
- 9. Hand Shower
- 10. Set Screw3
- 11. Hand Shower Holder
- 12. Allen Bolt
- 13. Lock Washer
- 14. Allen Wrench (2mm)
- 15. Coarse Thread Screw4
- 16. ShowerSpa Wall Bracket....2
- 17. Nylon Wall Anchor.....4
- 18. Nylon Nut
- 19. Nylon Safety Insert

Assembly

After unpacking your ShowerSpa, some assembly is required prior to installation.

Shower Arm Assembly

1. On the back of the ShowerSpa near the top, unscrew the hose fitting from the safety insert (19) and retain rubber washer. Remove the safety insert and discard with plastic nut (18).
2. Place escutcheon (2) over threaded end of shower arm (3) and insert through opening. Use stainless nut (6) to secure shower arm to ShowerSpa. Then secure both set screws (10) located on the stainless nut.
3. Attach hose fitting to shower arm (3) ensuring the rubber washer is still in hose fitting. Do not over-tighten.

Hand Shower Holder Assembly

NOTE—The hand shower holder (11) is directional and must be installed so the set screw (4) is facing down in order for the tapered end of the hose to fit properly.

1. Use 4mm allen wrench to remove allen bolt (12) from hand shower holder (11) and retain lock washer (13). Insert bolt through lock washer, then opening on side of ShowerSpa. Tighten bolt to holder while adjusting its' position (we recommend a slight forward angle).
2. Secure set screw (10) on bottom side of holder to lock in place.

After ShowerSpa is mounted to the wall

Hand Shower Assembly

1. Insert washer (7) into hexagon shaped end of hand shower hose (8) and attach to threaded outlet on bottom of ShowerSpa. Do not over-tighten.
2. Insert washer (7) into tapered end of hand shower hose (8) and attach to hand shower (9). Insert hand shower into hanger.
3. Check that rubber screen washer (4) is in shower head (5) and screw shower head onto the shower arm (3).

Installation—New Construction

Extensive Remodel—New Finished Wall Surface

1. Prior to sheetrock, stub-out $\frac{1}{2}$ " hot and cold supply lines beyond finished wall surface, 4" on center. For best results, attach 90° brass fittings (available at most hardware stores) to the stub-outs maintaining $\frac{1}{4}$ " – $\frac{1}{2}$ " of space between the fitting and finished wall. The open end of the 90° brass fittings should point down so the supply lines attach parallel to the wall.¹
2. For a person 5'8" – 6'2" we recommend the stub-outs be 40" above finished floor.²
3. Before installation, make certain that water is **COMPLETELY TURNED OFF** to both hot & cold supply lines of shower.
- 4a. Mark location of holes for the mounts, making sure holes are plumb. For a person 5'8" – 6'2", we recommend placing the top hole of the upper mount at approx. 71" above finished floor.³
- 4b. Determine location for the lower mount. Measure the distance between indents on the bottom edges of the two brackets on back of ShowerSpa (approx. 35 $\frac{1}{2}$ "). Using this distance, measure down from the top hole in upper mount to get the location of the top hole in lower mount.
- 4c. Use the mounts to mark only one of the lower holes in each mount, whichever is most convenient.
5. Before drilling holes, make certain that connecting to stub-outs DOES NOT INTERFERE with backside of ShowerSpa and it is flush with finished wall at desired mounting height.²
6. Drill $\frac{1}{4}$ " holes through wall surface using a masonry bit. Drill slowly through wall surface to avoid cracking and chipping. Insert anchors and securely screw brackets to wall. Before connecting hot and cold supply lines, hang the ShowerSpa on wall, check the height and make sure the ShowerSpa is flush against wall with a secure fit.
7. Connect hot and cold water supply lines to stub-outs—DO NOT OVERTIGHTEN. Before mounting the ShowerSpa, check fittings to make sure they are secure. Turn on water and check for leaks. When fittings are leak-free, mount ShowerSpa on wall.
8. **OPTIONAL**—Seal around body of ShowerSpa with a bead of silicone. DO NOT SEAL BOTTOM.

Retrofit—Existing Shower Replacement

NOTE—In a remodel in which you are not replacing the finished wall surface (tile, or backing material) it is advisable to purchase a PULSE ShowerSpa model that covers the location of your existing valve assembly—either single handle or two-handle type. If your PULSE ShowerSpa model does not cover this area, you will need to either choose another PULSE ShowerSpa model that does or make necessary repairs with appropriate materials (i.e. wallboard, tile, fiberglass, etc).

1. **TURN OFF WATER SUPPLY TO SHOWER.** Typically there is a gate valve where the water main enters the house. Turning the water valve off at hot water tank does not turn off cold water supply line.
2. Make certain water is completely turned off to both hot & cold supply lines of shower. Turn shower valve on, both hot and cold, to **VERIFY WATER SUPPLY IS OFF.** Open a sink faucet in the bathroom in which you are installing the ShowerSpa to relieve any pressure and help adequately drain shower supply lines.
3. Remove handle(s) and trim cover(s) of your existing shower valve, exposing valve body in wall.
4. Locate hot and cold supply lines entering valve. Using a reciprocating saw with sharp metal saw blade, cut existing valve out, preserving threads of the supply lines entering valve. You should also cut the riser within wall supplying the existing shower head. Carefully twist and remove valve.
5. Unscrew old shower head from shower arm, then unscrew shower arm from wall.
6. Water lines must be extended to the outside of wall cavity, 4" on center. For best results, attach 90° brass fittings (available at most hardware stores) to the stub-outs maintaining $\frac{1}{4}$ " – $\frac{1}{2}$ " of space between the fitting and finished wall. The open end of the 90° brass fittings should point down so the supply lines attach parallel to the wall.¹
- 7a. Mark location of holes for the mounts, making sure holes are plumb. For a person 5'8" – 6'2", we recommend placing the top hole of the upper mount at approx. 71" above finished floor.³
- 7b. Determine location for the lower mount. Measure the distance between indents on the bottom edges of the two brackets on back of ShowerSpa (approx. 35 $\frac{1}{2}$ "). Using this distance, measure down from the top hole in upper mount to get the location of the top hole in lower mount.
- 7c. Use the mounts to mark only one of the lower holes in each mount, whichever is most convenient.
8. Before drilling holes, make certain that connecting to stub-outs DOES NOT INTERFERE with backside of ShowerSpa and it is flush with finished wall at desired mounting height.²
9. Drill $\frac{1}{4}$ " holes through wall surface using a masonry bit. Drill slowly through wall surface to avoid cracking and chipping. Insert anchors and securely screw brackets to wall. Before connecting hot and cold supply lines, hang ShowerSpa on wall, check the height and make sure ShowerSpa is flush against the wall with a secure fit.
10. Connect hot and cold water supply lines to stub-outs—DO NOT OVERTIGHTEN. Before mounting the ShowerSpa, check fittings to make sure they are secure. Turn on water and check for leaks. When fittings are leak-free, mount ShowerSpa on wall.
11. **OPTIONAL**—Seal around body of ShowerSpa with a bead of silicone. DO NOT SEAL BOTTOM.

¹ Additional fittings or longer supply lines may be necessary depending on your specific situation.

² The desired mounting height of ShowerSpa determines, or is determined by location of the $\frac{1}{2}$ " stub-outs.

³ The mounting height can vary depending on several factors (i.e. location of supply lines, interference from ShowerSpa plumbing, old valve access area, personal preference, etc.)

Usage

Pressure Balance Mixing Valve

The Waimea ShowerSpa is equipped with a cUPC® pressure balance mixing valve to adjust water flow and temperature. The valve automatically adjusts to changes in water pressure (i.e. someone flushes a toilet), keeping your temperature constant and preventing accidental scalding. To turn on the ShowerSpa simply raise the handle until the desired flow rate is achieved. Rotate to the right to decrease temperature and rotate to the left to increase temperature. Be sure that the handle is in the OFF position when you are done using your ShowerSpa so that pressure does not build up inside the unit.

Brass Diverter

The brass diverter is used to change between ShowerSpa functions. Simply rotate the diverter knob either direction to select the desired function—shower head, hand shower, body jets or tub spout.

Hand Shower

The hand shower has a single power-spray pattern that can be used alone or in combination with any of the other ShowerSpa functions.

Body Jets

There are six three-function brass Infinity Jets that provide misting, pulsating massage or stimulating sprays. Simply rotate the head of the jet to change between functions. You can adjust the angle of spray by pushing on the front edge of the jet in any direction.

Care and Maintenance

Always blot dry any water from the surface of your ShowerSpa. To protect your ShowerSpa from hard water stains and mineral deposits, use an auto spray wax periodically and wipe down your ShowerSpa after each use. Allowing water to evaporate on the surface can lead to a buildup of mineral deposits. Cleaning with a damp, nonabrasive sponge and drying with a clean soft cloth should help keep your ShowerSpa looking beautiful.

R E M E M B E R

Never use any abrasives or harsh cleaners!

Clean with mild soap and water ONLY!

*To keep your ShowerSpa in pristine condition,
DRY AFTER EACH USE!*

Manufacturer's Limited Warranty

PULSE Shower Spas, Inc. warrants that all ShowerSpas are free from defect in workmanship and/or materials for a period of three years from the date of purchase. This warranty extends to the original purchaser only and is non-transferable.

This warranty does not cover, and PULSE ShowerSpas will not pay for any conditions, malfunctions or damages resulting from (1) normal wear and tear, improper installation (whether performed by a contractor, a service company or the consumer), improper maintenance, misuse, abuse, negligence, accident or alteration; (2) the use of abrasive, caustic or "no-rinse" cleaning agents; (3) the use of the product in any manner contrary to the product instruction; (4) any condition in the home such as excessive water pressure or corrosion.

Should any ShowerSpa be determined by PULSE ShowerSpas, Inc. to be defective in normal residential use, at the option of PULSE ShowerSpas, Inc., such product shall either be replaced or repaired and returned to the customer free of defects. The consumer shall give notice of any defects to PULSE ShowerSpas, Inc. within thirty days of discovery of such defect.

Proof of purchase (original sales receipt) must be provided to PULSE ShowerSpas, Inc. with all warranty claims.

PULSE ShowerSpas, Inc. is not responsible for any labor charges, removal charges, installation or other consequential costs. In no event shall the liability of PULSE ShowerSpas, Inc. exceed the purchase price of the ShowerSpa.

Some states/provinces do not allow limitations of how long an implied warranty lasts or the exclusion or limitation of such damages, so these limitations and exclusions may not apply to you. This warranty gives the consumer specific legal rights. You may also have other rights that vary by state/province.

Follow manufacturers recommended installation. Use caution with children under ten years of age. Do not use ShowerSpa as a support device. Do not use harsh chemicals or abrasives when cleaning. Turn water supply off when servicing your ShowerSpa.



PULSE

Pulse ShowerSpas, Inc. ~ 49 Hangar Way Suite A ~ Watsonville, CA 95076 ~ 888.785.7320
info@pulseshower spas.com ~ www.pulseshower spas.com ~ support@pulseshower spas.com