

D

I

A

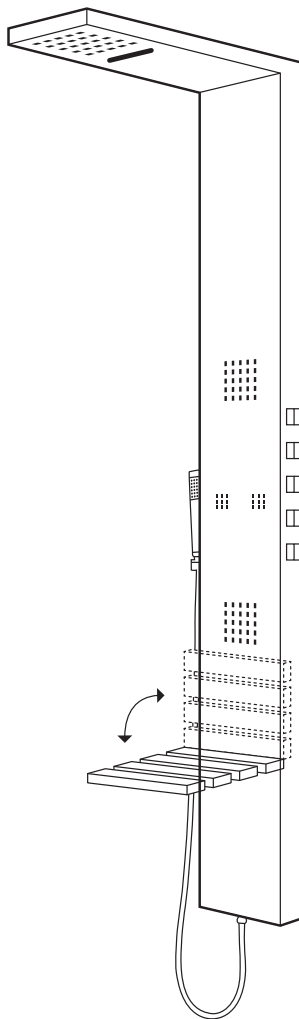
O



PULSE

SHOWERSPAS

Oahu Showerspa **Model #1035** **Owner's Manual**



Oahu ShowerSpa Model #1034

Please Read The Following Instructions **COMPLETELY** Before Beginning!

Our goal is to ensure your installation goes smoothly and safely. Please read these instructions carefully and follow recommendations for plumbing and mounting. **After reading instructions, if you determine you do not have the necessary skills and/or tools, we recommend that a licensed plumbing contractor complete the installation.**

***If you encounter any problems during installation
CALL TECHNICAL SUPPORT
TOLL FREE at 888-785-7320
Before returning your ShowerSpa to the store***

You Will Need The Following Tools

Soft pencil or felt pen to mark tile

Allen wrench (supplied)

Safety glasses

Tape measure

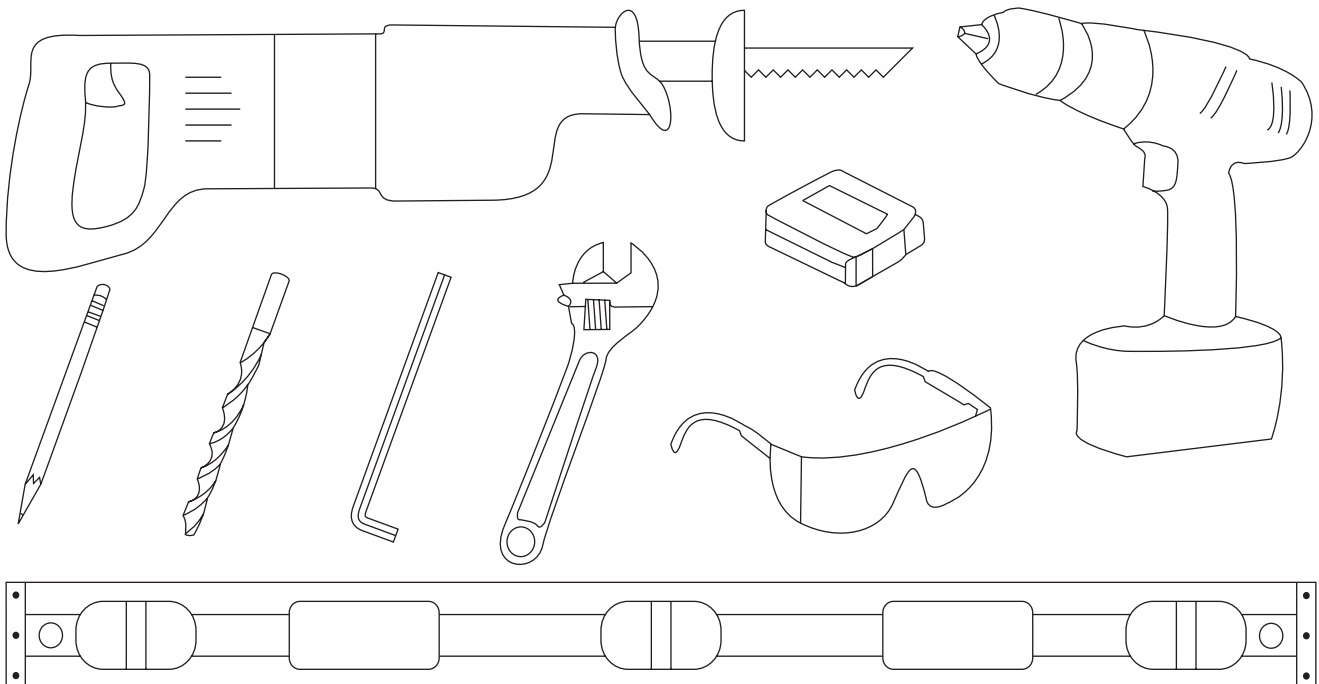
Level

Reciprocating saw w/ metal cutting blade (Sawzall®)

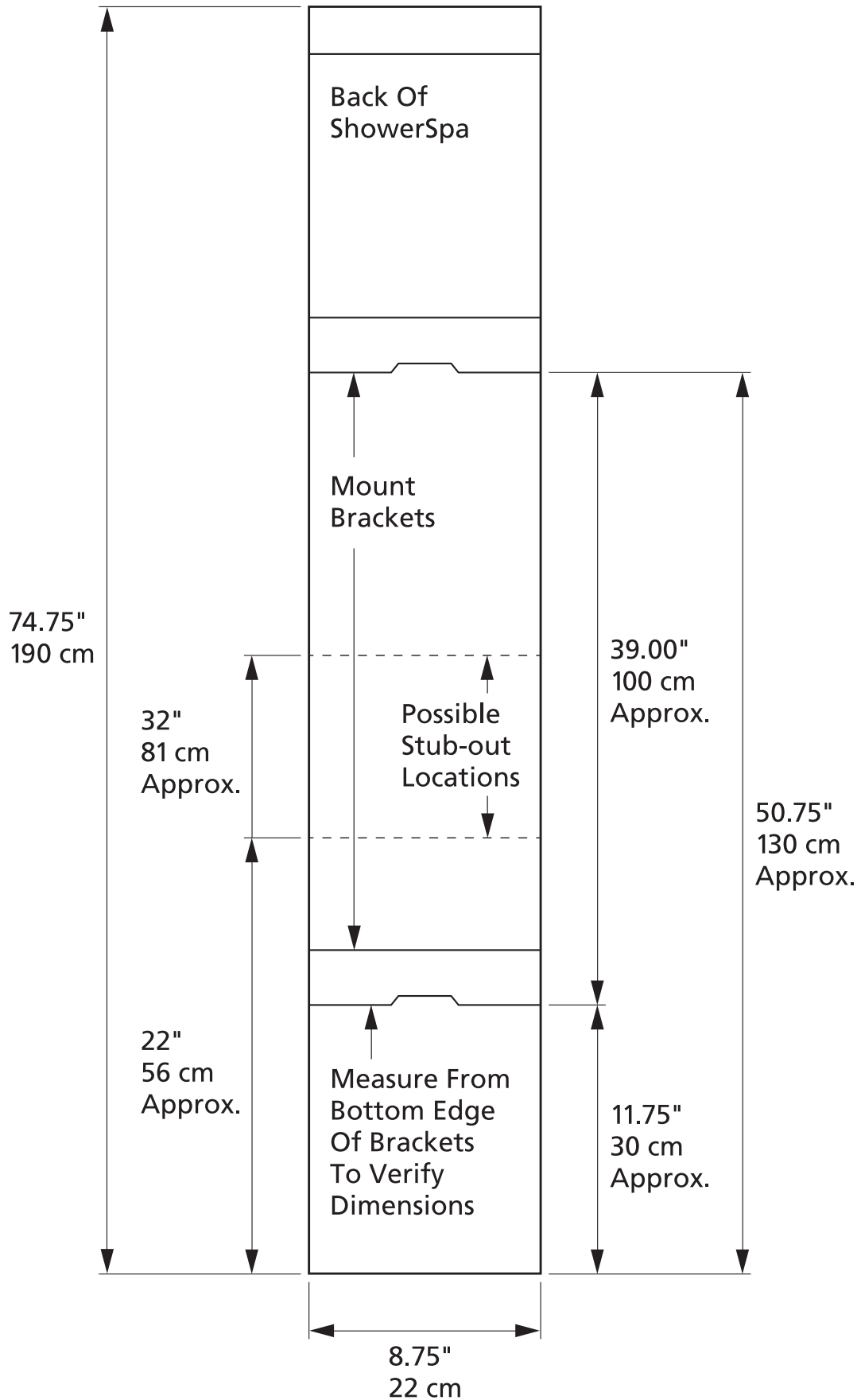
Channel locks or adjustable wrench

Drill (preferably cordless)

¼" Masonry drill bit



Dimensions

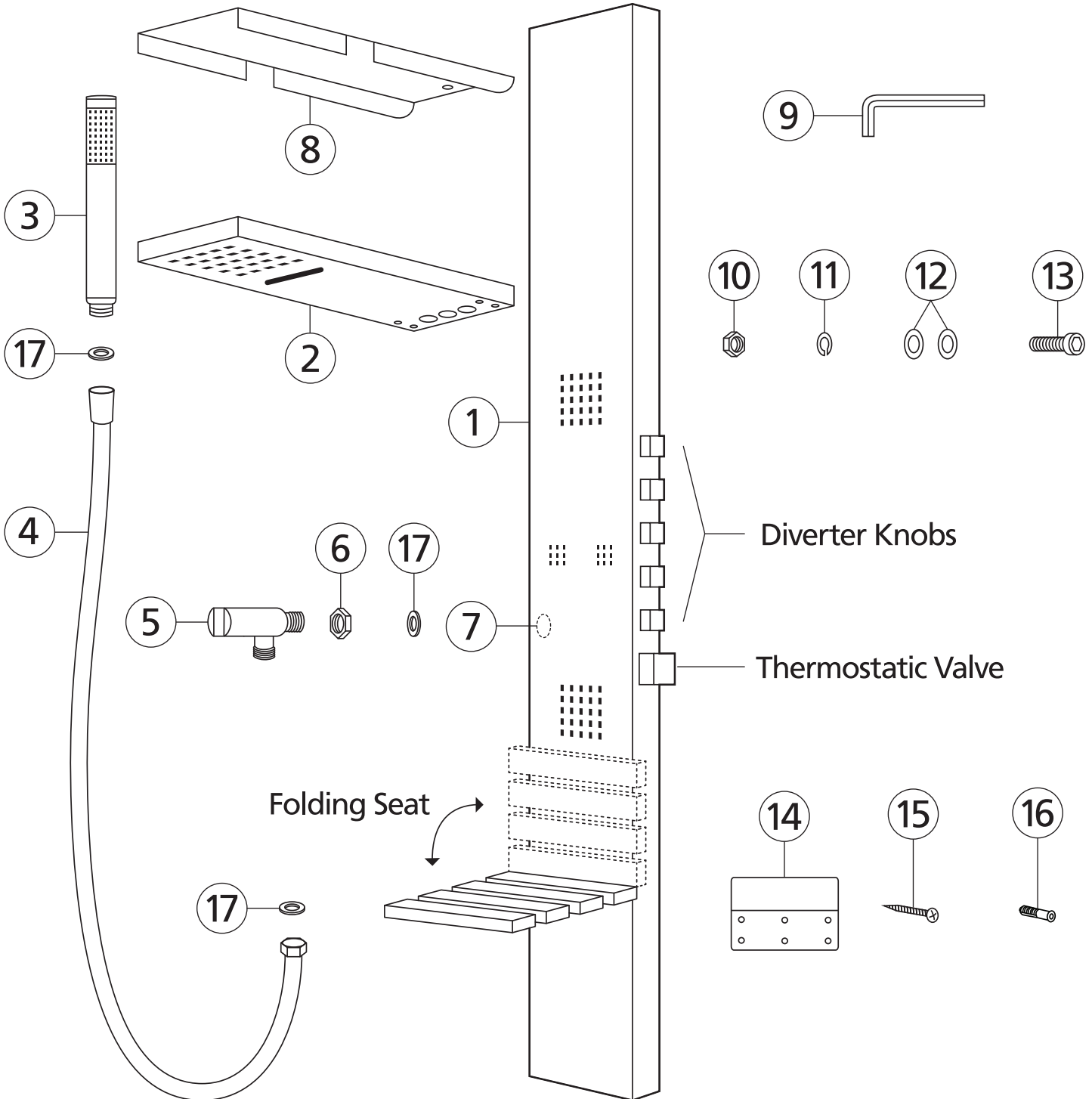


Parts Legend

- 1. ShowerSpa
- 2. Showerhead
- 3. Hand Shower
- 4. Shower Hose
- 5. Hand Shower Holder
- 6. Large Nut

- 7. Hand Shower Outlet
- 8. Cover
- 9. Allen Wrench
- 10. Nut
- 11. Lock Washer
- 12. Washer

- 13. Bolt.....4
- 14. Mount Bracket.....2
- 15. Mounting Screw 12
- 16. Nylon Anchor.....12
- 17. Rubber Washer
(3 extra)6



Assembly

After Unpacking Your ShowerSpa, Some Assembly Is Required Prior To Installation

Hand Shower Holder Assembly *Figure A*

1. Place the threaded end (on main axis) of the hand shower holder (5) into the hand shower outlet (7). Make certain the threads for the hand shower hose are pointing down. Refer to diagram for proper positioning.
2. Tighten hand shower holder (5) to ShowerSpa (1) with nut (6).
3. Check the open end of the hose on back of ShowerSpa for a rubber washer (17). If no washer is present, place one into the hose. Tighten hose to the hand shower holder (5) making sure there are no kinks in the hose. **DO NOT OVERTIGHTEN.**
4. Check connection for leaks after supply lines are connected.

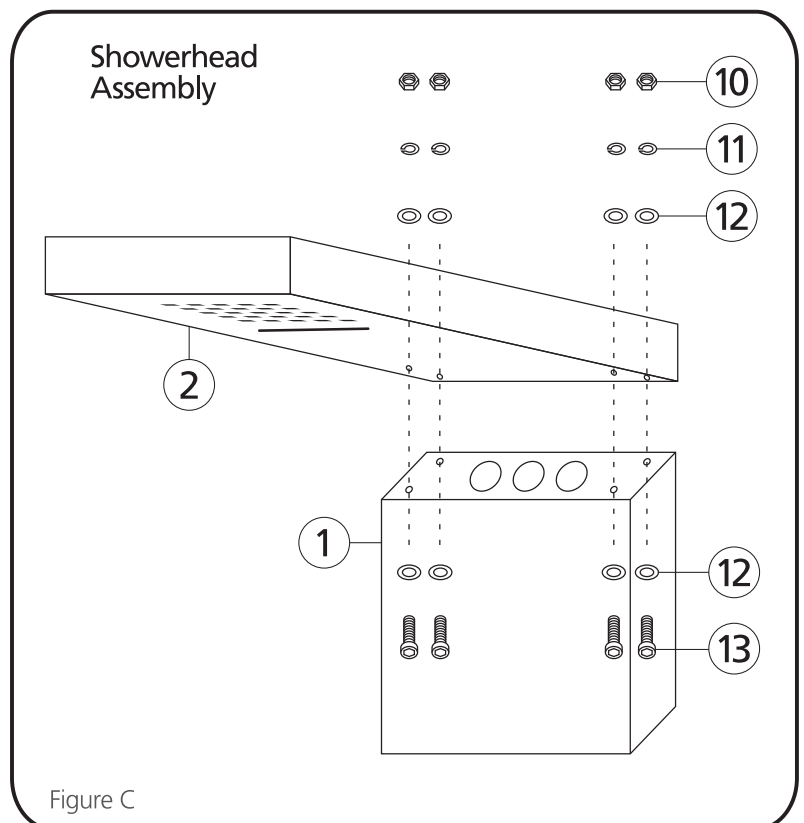
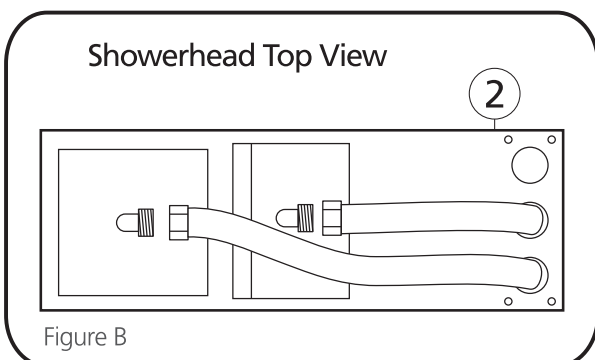
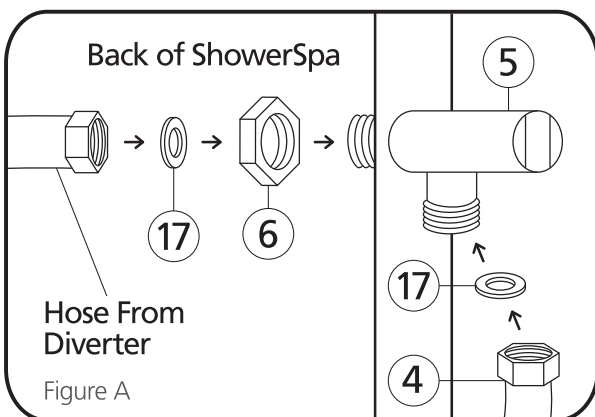
Showerhead Assembly *Figure B & C*

1. Align the four mounting holes of the showerhead with the holes in the top of the ShowerSpa panel.
2. Refer to the diagram for proper placement of bolts (13), washers (12), lock washers (11) and nuts (10). Secure the showerhead to the panel with supplied allen wrench (9). Make certain the connection is tight and there is no "play" between the two items.
3. Route hoses from inside ShowerSpa (1) through the holes in back of showerhead (2). Connect hoses to the showerhead fittings making sure there are no kinks in the hoses. **DO NOT OVERTIGHTEN.**
4. After the unit is installed, check these connections to ensure there are no leaks.
5. Slide cover (8) into the top of the showerhead (2) with the finger hole towards the back side.

After ShowerSpa Is Mounted To The Wall

Connect The Hand Shower

1. Insert a rubber washer (17) into the hex end of the shower hose (4), and attach to the hand shower holder (5).
2. Insert a rubber washer (17) into the tapered end of the shower hose (4) and attach to the hand shower (3). Place the tapered end of the hose into the hand shower holder (5).



Installation

New Construction or Extensive Remodel—New Finished Wall Surface

1. Prior to sheetrock, stub-out ½" hot and cold supply lines beyond finished wall surface, 4" on center. For best results, attach 90° brass fittings (available at most hardware stores) to the stub-outs maintaining ¼" – ½" of space between the fitting and finished wall. The open end of the 90° brass fittings should point down so the supply lines attach parallel to the wall.¹
2. For a person 5'8" – 6'2" we recommend the stub-outs be either 28" or 38" above finished floor.²
3. Before installation, make certain that water is **COMPLETELY TURNED OFF** to both hot & cold supply lines of shower.
- 4a. Mark location of holes for the mounts, making sure holes are plumb. For a person 5'8" – 6'2", we recommend placing the top hole of the upper mount at approx. 57" above finished floor.³
- 4b. Determine location for the lower mount. Measure the distance between indents on the bottom edges of the two brackets on back of ShowerSpa. Using this distance, measure down from the top hole in upper mount to get the location of the top hole in lower mount.
- 4c. Use the mounts to mark only one of the lower holes in each mount, whichever is most convenient.
5. Before drilling holes, make certain that connecting to stub-outs **DOES NOT INTERFERE** with backside of ShowerSpa and it is flush with finished wall at desired mounting height.²
6. Drill ¼" holes through wall surface using a masonry bit. Drill slowly through wall surface to avoid cracking and chipping. Insert anchors and securely screw brackets to wall. Before connecting hot and cold supply lines, hang the ShowerSpa on wall, check the height and make sure the ShowerSpa is flush against wall with a secure fit.
7. Connect hot and cold water supply lines to stub-outs—**DO NOT OVERTIGHTEN**. Before mounting the ShowerSpa, check fittings to make sure they are secure. Turn on water and check for leaks. When fittings are leak-free, mount ShowerSpa on wall.
8. **OPTIONAL**—Seal around body of ShowerSpa with a bead of silicone. **DO NOT SEAL BOTTOM.**

Retrofit—Existing Shower Replacement

NOTE—In a remodel in which you are not replacing the finished wall surface (tile, or backing material) it is advisable to purchase a PULSE ShowerSpa model that covers the location of your existing valve assembly—either single handle or two-handle type. If your PULSE ShowerSpa model does not cover this area, you will need to either choose another PULSE ShowerSpa model that does or make necessary repairs with appropriate materials (i.e. wallboard, tile, fiberglass, etc).

1. **TURN OFF WATER SUPPLY TO SHOWER.** Typically there is a gate valve where the water main enters the house. Turning the water valve off at hot water tank does not turn off cold water supply line.
2. Make certain water is completely turned off to both hot & cold supply lines of shower. Turn shower valve on, both hot and cold, to **VERIFY WATER SUPPLY IS OFF.** Open a sink faucet in the bathroom in which you are installing the ShowerSpa to relieve any pressure and help adequately drain shower supply lines.
3. Remove handle(s) and trim cover(s) of your existing shower valve, exposing valve body in wall.
4. Locate hot and cold supply lines entering valve. Using a reciprocating saw with sharp metal saw blade, cut existing valve out, preserving threads of the supply lines entering valve. You should also cut the riser within wall supplying the existing showerhead. Carefully twist and remove valve.
5. Unscrew old showerhead from shower arm, then unscrew shower arm from wall.
6. Water lines must be extended to the outside of wall cavity, 4" on center. For best results, attach 90° brass fittings (available at most hardware stores) to the stub-outs maintaining ¼" – ½" of space between the fitting and finished wall. The open end of the 90° brass fittings should point down so the supply lines attach parallel to the wall.¹
- 7a. Mark location of holes for the mounts, making sure holes are plumb. For a person 5'8" – 6'2", we recommend placing the top hole of the upper mount at approx. 57" above finished floor.³
- 7b. Determine location for the lower mount. Measure the distance between indents on the bottom edges of the two brackets on back of ShowerSpa. Using this distance, measure down from the top hole in upper mount to get the location of the top hole in lower mount.
- 7c. Use the mounts to mark only one of the lower holes in each mount, whichever is most convenient.
8. Before drilling holes, make certain that connecting to stub-outs **DOES NOT INTERFERE** with backside of ShowerSpa and it is flush with finished wall at desired mounting height.²
9. Drill ¼" holes through wall surface using a masonry bit. Drill slowly through wall surface to avoid cracking and chipping. Insert anchors and securely screw brackets to wall. Before connecting hot and cold supply lines, hang ShowerSpa on wall, check the height and make sure ShowerSpa is flush against the wall with a secure fit.
10. Connect hot and cold water supply lines to stub-outs—**DO NOT OVERTIGHTEN**. Before mounting the ShowerSpa, check fittings to make sure they are secure. Turn on water and check for leaks. When fittings are leak-free, mount ShowerSpa on wall.
11. **OPTIONAL**—Seal around body of ShowerSpa with a bead of silicone. **DO NOT SEAL BOTTOM.**

¹ Additional fittings or longer supply lines may be necessary depending on your specific situation.

² The desired mounting height of ShowerSpa determines, or is determined by location of the ½" stub-outs.

³ The mounting height can vary depending on several factors (i.e. location of supply lines, interference from ShowerSpa plumbing, old valve access area, personal preference, etc.)

Usage

Thermostatic Mixing Valve

The Oahu ShowerSpa comes equipped with a thermostatic mixing valve to safely control water temperature. Once you set the knob to the desired operating temperature, the thermostatic mixing valve will regulate the temperature, keeping it constant even when water pressure drops inside the plumbing lines (i.e. someone flushes a toilet, etc.).

The button on the knob points to the current water temperature. Rotate the knob counter-clockwise to increase temperature or clockwise to decrease temperature. Anti-scald technology is provided by limiting temperature to 38°C/100°F unless the button on the knob is pressed. To increase the temperature beyond 38°C/100°F, press the button and continue turning counter-clockwise. Each time you revisit your ShowerSpa, allow the water to reach operating temperature before entering the shower.

Diverters

The Oahu Showerspa offers independent control of each function. Water pressure can be directed to a single function or split between the different functions via the five diverter knobs (on the side of the ShowerSpa).

The five functions are rain showerhead, waterfall showerhead, handheld shower, small body jets and large body jets. To turn a function on, rotate the knob towards you 90°. To turn the ShowerSpa off, rotate all diverters to the off position and leave the thermostatic mixing valve at the desired temperature.

Showerheads

There are two separate showerhead functions that are controlled independently. Each has its' own diverter knob. You may concentrate all pressure to one function or spread between the two. The rain showerhead provides the relaxing feel of soft rain while the waterfall showerhead is a single wide stream that offers more direct pressure.

Body Jets

The Oahu ShowerSpa is equipped with two small body jets and two large body jets. Each pair has a separate diverter knob controlling the body jets. The first knob operates the two large jets, while the other knob controls the two small jets. The large jets offer a more relaxing spray while the small jets offer more pressure to a single area. Again, you may concentrate all pressure to one function or spread between the two.

Hand Shower

The hand shower has a single power-spray pattern that can be used alone or in combination with any of the other ShowerSpa functions.

Care and Maintenance

Always blot dry any water from the surface of your ShowerSpa. To protect your ShowerSpa from hard water stains and mineral deposits, use an auto spray wax periodically and wipe down your ShowerSpa after each use. Allowing water to evaporate on the surface can lead to a buildup of mineral deposits. Cleaning with a damp, nonabrasive sponge and drying with a clean soft cloth should help keep your ShowerSpa looking beautiful.

R E M E M B E R

NEVER use any abrasives or harsh cleaners!

Clean with mild soap and water ONLY!

*To keep your ShowerSpa in pristine condition,
DRY AFTER EACH USE!*

Manufacturer's Limited Warranty

PULSE Shower Spas, Inc. warrants that all ShowerSpas are free from defect in workmanship and/or materials for a period of three years from the date of purchase. This warranty extends to the original purchaser only and is non-transferable.

This warranty does not cover, and PULSE ShowerSpas will not pay for any conditions, malfunctions or damages resulting from (1) normal wear and tear, improper installation (whether performed by a contractor, a service company or the consumer), improper maintenance, misuse, abuse, negligence, accident or alteration; (2) the use of abrasive, caustic or "no-rinse" cleaning agents; (3) the use of the product in any manner contrary to the product instruction; (4) any condition in the home such as excessive water pressure or corrosion.

Should any ShowerSpa be determined by PULSE ShowerSpas, Inc. to be defective in normal residential use, at the option of PULSE ShowerSpas, Inc., such product shall either be replaced or repaired and returned to the customer free of defects. The consumer shall give notice of any defects to PULSE ShowerSpas, Inc. within thirty days of discovery of such defect.

Proof of purchase (original sales receipt) must be provided to PULSE ShowerSpas, Inc. with all warranty claims.

PULSE ShowerSpas, Inc. is not responsible for any labor charges, removal charges, installation or other consequential costs. In no event shall the liability of PULSE ShowerSpas, Inc. exceed the purchase price of the ShowerSpa.

Some states/provinces do not allow limitations of how long an implied warranty lasts or the exclusion or limitation of such damages, so these limitations and exclusions may not apply to you. This warranty gives the consumer specific legal rights. You may also have other rights that vary by state/province.

Follow manufacturers recommended installation. Use caution with children under ten years of age. Do not use ShowerSpa as a support device. Do not use harsh chemicals or abrasives when cleaning. Turn water supply off when servicing your ShowerSpa.



PULSE

SHOWERSPAS

Pulse ShowerSpas, Inc. ~ 49 Hangar Way Suite A ~ Watsonville, CA 95076 ~ 888.785.7320
info@pulseshower spas.com ~ www.pulseshower spas.com ~ support@pulseshower spas.com